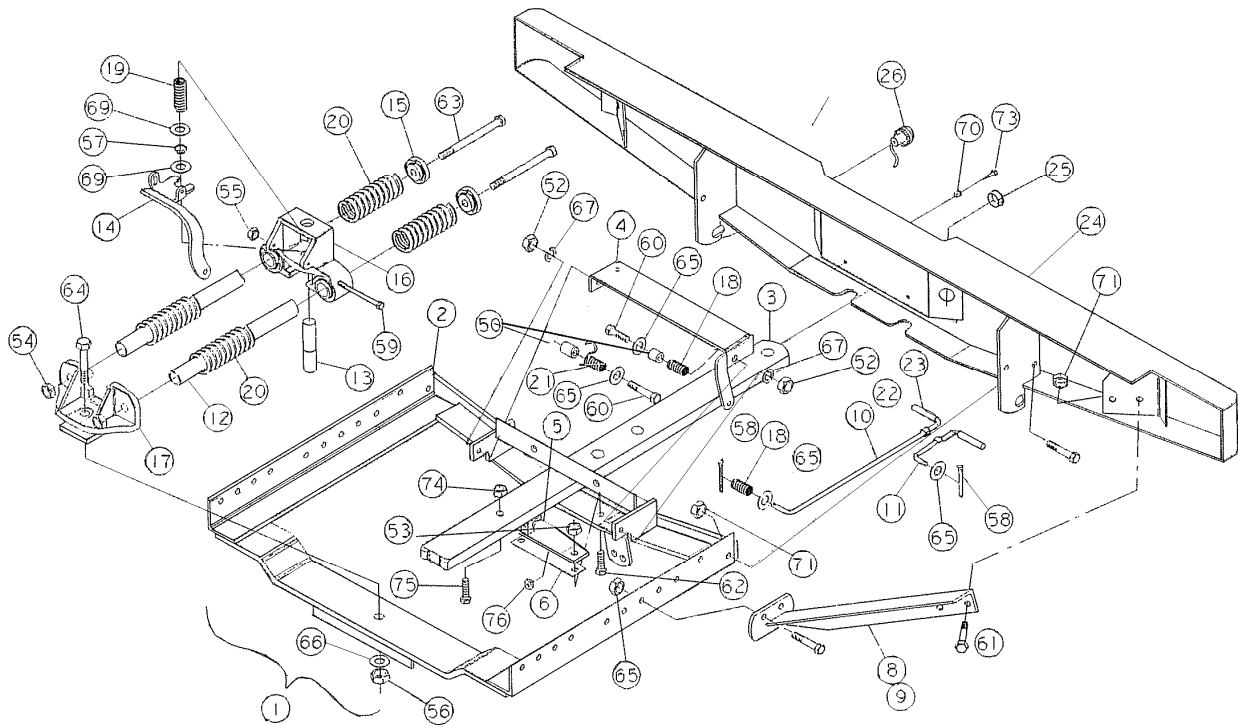


Quic-Cush'n II Assembly: 47070001



REF. NO.	PART NO.	QTY	DESCRIPTION	REF. NO.	PART NO.	QTY	DESCRIPTION
-	-	-	Drop Center Bumper Frame Assembly	50	44003802	2	Bushing
1	47077200	1	Bumper Frame Weldment	52	14110601	2	3/8" NC Hex Nyloc Locknut
3	47070021	1	Towbar	53	14110801	2	1/2" NC Hex Nyloc Locknut
4	47077266	1	Stoplock	54	14111201	2	3/4" NC Hex Nyloc Locknut
5	47010002	1	UHMW Pad	55	14110401	1	1/4" NC Hex Nyloc Locknut
6	47017100	A/R	Shim	56	14111201	1	3/4" NC Hex Nyloc Locknut
8	47076031	1	LH Brace	57	14610100	1	Snap Ring
9	47076041	1	RH Brace	58	14700502	2	5/32" x 1-1/2" Cotter Pin
10	47077241	1	Long Handle	59	16004184	1	1/4"-20 x 4-1/2" NC Hex Bolt
11	47077246	1	Short Handle	60	16006095	2	3/8"-16 x 2-1/4" Hex Bolt
12	47070010	2	Pipe	61	16008055	2	1/2"-13 x 1-1/4" Hex Bolt
13	47077250	1	Lock Pin	62	16008365	2	1/2"-13 x 2-1/2 FHSC Bolt
14	47077470	1	Lever	63	16912645	2	3/4" x 16" NC Hex Bolt
15	20092160	2	Spring Retainer Casting	64	16912115	1	3/4"-10 x2-3/4" GRD 8 HHCS
16	20092161	1	Spring Casting	65	17006001	4	3/8" Washer
17	20092170	1	Towbar Mounting Casting	66	17112000	1	3/4" SAE ZP Flat Washer
18	24108100	2	Handle Spring	67	17006001	2	3/8" Washer.
19	24111201	1	Lock Pin Compression Spring	69	17616011	2	1" Machine bushing Washer, 10 ga.
20	24140610	4	Compression Spring	70	14090300	4	Plastic Fastener
21	24512512	1	Torsion Spring	71	14000801	10	1/2" NC Hex Nut
22	30003300	2	Snap-in Grommet	73	16900351	4	#10 x 5/8" Hex Sheet Metal Screw
23	30003400	2	Plastic Handle Grip	74	14111001	1	5/8"-11 Nyloc Locknut
24	47060140	1	Drop Center Channel; White	75	16010075	1	5/8"-11 x 1-1/2" Hex Bolt
	47060150	1	Drop Center Channel; Silver				
	47060160	1	Drop Center Channel; Chrome				
25	30003200	1	Pry-out Plug				
26	27501230	2	License Light				